

AL-KO IRS AXLES

Simple and effective engineering. The hexagonal axle tube houses three rubber elements held in place by a triple fluted inner tube. Suspension movement between bump and rebound rolls the rubber elements providing dampening of road shocks. IRS axles are manufactured to order. Contact us for a quote.

AL-KO AXLE BEAMS
39MM ROUND

1345mm	035998
1397mm	035999
1499mm	036000
1524mm	036001
1549mm	036002
1575mm	036003
1600mm	036004
1626mm	036005
1650mm	036006
1676mm	036007
1702mm	036008
1778mm	036009
1804mm	036010
1905mm	036011
1930mm	036012
1956mm	036013

AL-KO STUB AXLES
ROUND

39mm x 205mm overall short round	036078
39mm x 250mm overall long round	036079
45mm x 205mm heavy duty round	036081
45mm x 240mm long heavy duty round	036082
45mm x 280mm long heavy duty round	036083

AL-KO AXLE BEAMS
40MM SQUARE

1346mm	036014
1397mm	036015
1448mm	036016
1499mm	036018
1549mm	036020
1575mm	036021
1600mm	036022
1625mm	036023
1650mm	036024
1676mm	036025
1702mm	036026
1727mm	036027
1753mm	036028
1778mm	036029
1804mm	036030
1829mm	036031
1854mm	036032
1880mm	036033
1905mm	036034
1930mm	036035
1956mm	036036
1981mm	036037
2007mm	036038
2032mm	036039
2057mm	036040
2108mm	036042
2134mm	036043
2159mm	036044
2184mm	036045
2210mm	036046
2235mm	036047
2261mm	036048
2286mm	036049
2311mm	036050
2337mm	036051
2362mm	036052
2388mm	036053
2413mm	036054
2438mm	036055

AL-KO STUB AXLES
SQUARE

45mm sq 205mm	036080
45mm sq 305mm	036086
40mm sq 205mm overall short	036084
40mm sq 300mm overall long	036085

AL-KO AXLE BEAMS
45MM SQUARE
1400KG

1600mm	036059
1625mm	036060
1650mm	036061
1676mm	036062
1702mm	036063
1727mm	036064
1778mm	036065
1829mm	036066
1905mm	036067
1956mm	036068
1980mm	036069
2032mm	036070
2108mm	036071
2185mm	036072
2210mm	036073
2260mm	036074
2286mm	036075
2362mm	036076
2440mm	036077

AL-KO AXLE NUT, WASHER
AND PIN KIT

Pre-packed. 2 per card	038757
Slotted axle nut	006549
Axle washer	006550
Axle cotter pin 40 x 3.2mm	006551

AL-KO BRAKE ASSEMBLY
PLATE MECHANICAL

230mm x 45mm RH (off side)	006340
230mm x 45mm LH (near side)	006341

ALKO NON BRAKED HUBS GALVANISED



Complete with bearings and seals.

HT Holden	036102
HT Velox	036103
Ford	036104
HQ Holden	036105
Commodore	036106

ALKO NON BRAKED HUBS



Complete with bearings and seals in a variety of stud patterns

HT Holden	036087
Mini	036088
Ford Falcon 4 Stud 1/2"	036089
Datsun 4 Stud 7/16"	038099
Landcruiser 6 Stud HD	036090
Cortina 4 Stud	038100
Ford Falcon 5 Stud	036091
HT Velox Small Flange	036092
HQ Holden	036093
Blank 150mm Std	036094
F100 HD	038101
HT Special HD	036095
Ford Special HD	036096
HQ Special HD	036097
Landcruiser 5 Stud HD	036098
Commodore	036099
Landcruiser 6 Stud Holden	036101
Boxed Kits	
HQ Holden	038751
HT Holden	038752
Ford 5 Stud	038753

ALKO BRAKE ASSEMBLY PLATE HYDRAULIC



With mechanical park brake. 230mm x 45mm

LH	006338
RH	006339
Without park brake. 230mm x 45mm	
LH	036107
RH	036108

BRAKE ASSEMBLY PLATES ELECTRIC



With mechanical park brake. 250mm x 56mm

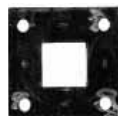
LH	Alko	006334
RH	Alko	006333
LH	Offroad	036111
RH	Offroad	036112
RH	Trailtech	036113
LH	Trailtech	036114

BRAKE MOUNTING PLATES MECHANICAL / ELECTRICAL



40mm round hole **006395**

45mm round hole **006397**



40mm square hole **036115**

BRAKE MOUNTING PLATES HYDRAULIC



40mm **006359**

45mm **036116**

Bolt and nut 1 x 7/16 UNF suit adaptor plate **036117**

Nut only 7/16 UNF **006336**

MECHANICAL / HYDRAULIC DISC BRAKE HUBS



HT Holden **036149**

Ford **036150**

HQ Holden **036151**

MECHANICAL/HYDRAULIC DISC BRAKE HUBS GALVANISED



HT Holden **036166**

Ford **036167**

HQ Holden **036168**

Commodore **036169**

HT Velox **036170**

Boxed Sets complete with Slimline Bearings

HT Holden **038754**

Ford **038755**

ALKO HUB DRUMS



Complete with studs, nuts, seals, bearings and grease cap.

230mm Mechanical and Hydraulic ME9

HT Holden **036118**

Ford **036119**

HQ Holden **036120**

Slimline Toyota Landcruiser 6 stud **036121**

Slimline Toyota Landcruiser 5 stud **036122**

Slimline Ford **036123**

250mm Electric ME12

HT Alko **036124**

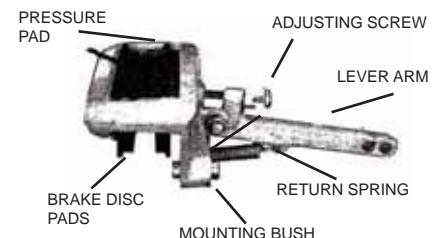
HQ Alko **036126**

Toyota Landcruiser 6 stud **036127**

Toyota Landcruiser 5 stud **036128**

Ford Slimline **036129**

MECHANICAL DISC BRAKE CALIPERS



Adaptor Plate 40mm **036147**

Mounting Bolt Alko **036158**

Return Spring **036159**

Pressure Pad Alko **036160**

Brake Pad **036161**

Mounting Bush S/S Alko **036163**

AL-KO MECHANICAL DISC BRAKE CALIPERS



Forward Pull

Centre Pull

Forward pull: For use on beam axles

A100M **036145**

Boxed Set of 2 **038761**

Centre pull: For use with IRS **036146**

HYDRAULIC DISC BRAKE CALIPER



Trigg Marinised **036153**

Brake Pad Trojan **036162**

AL-KO HYDRAULIC DISC BRAKE CALIPERS



Suitable for installations where more than one axle is used. Can be operated using hydraulic override couplings. Suitable for 12mm to 15mm. Box of 2. **038762**

Slide Pin Kit. Pack of 1 **038764**

Piston Seal Repair Kit. Pack of 1 **038765**

AL-KO HYDRAULIC DISC BRAKE PADS



Pack of 2 **038763**

METAL GREASE CAP



Holden **006568**

Suit 1.5 - 2 tonne axles **006569**

Pack of 2 **038756**

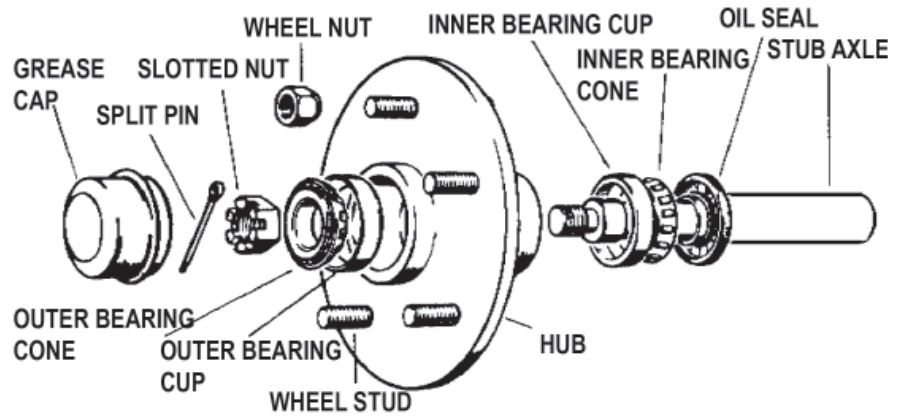
AL-KO ELECTRIC BRAKE SHOES



254mm x 560mm Primary **006390**

254mm x 560mm Secondary **006391**

TYPICAL HUB-STUB ASSEMBLY

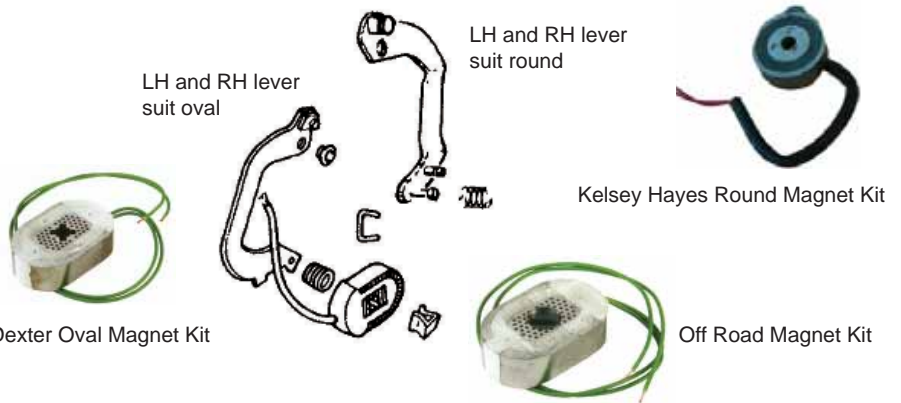


40mm Axles and Stubs use **STANDARD** Bearings

45mm Axles and Stubs use **SLIMLINE** Bearings

Note: Landcruiser, Land Rover and F100 use **SLIMLINE** Bearings.

ELECTRIC BRAKE MAGNETS



Kelsey Hayes Round Type complete with spring and clip **006379**

Off Road Magnet Oval Type LH **006388**

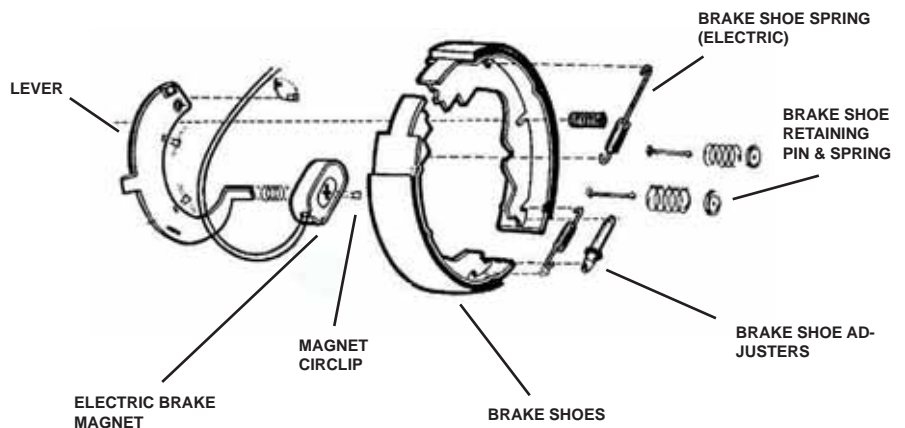
Off Road Magnet Oval Type RH **006389**

Dexter Oval Type complete with spring and clip **006384**

Kelsey Hayes LH Lever suit Dexter **006386**

Kelsey Hayes RH Lever suit Dexter **006387**

ELECTRIC BRAKE SPARE PARTS



HUB CONES AND CUPS



INNER OUTER

Standard - Holden

Inner Bearing Kit	006553
Inner Cone	036173
Inner Cup	036174
Outer Bearing Kit	006554
Outer Cone	036171
Outer Cup	036172

Heavy Duty - Ford

Inner Bearing Kit	006555
Inner Cone	036177
Inner Cup	036178
Outer Bearing Kit	006556
Outer Cone	036175
Outer Cup	036176

BEARING KITS WITH SEAL



4 piece boxed sets to keep in glove box. Comprises cup and cone, seal and grease cap.

Holden	006563
Composite	006562
Ford TWK12	006565
Holden with seal	036183

SUPER SEALS



Set of 2 hub seals suitable for boat trailers.

Slimline Bearing	036180
Standard Bearing	036181

OIL SEALS



No.609 suit Standard Bearing	006558
No.610 suit Slimline Bearing	006559

WHEEL NUTS



7/16" 60° Holden	006638
1/2" 60° Ford	006639
Windsor wheel nut adaptor	006640
5 stud TLC 9/16" 60°	036190

WHEEL STUDS



Short spline 7/16"	Holden	006635
Short spline 1/2"	Ford	006636
Long spline 1/2"	Industrial 55mm special	036186
Short spline 1/2"	Industrial 50mm special	036187
Long Spline 9/16"		036188
Short Spline 9/16"		036189

AL-KO STUD AND NUT KITS



Pack of 5 studs and nuts

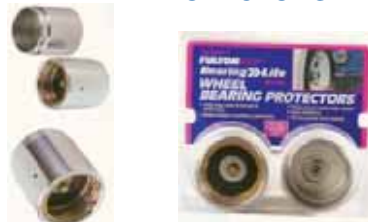
7/16"	Plated Wheel	038758
1/2"	Black Wheel	038759
1/2"	Plated Wheel	038760

BEARING PROTECTOR DUST COVER



Red plastic dust and water covers. Pack of 2. **006575**

AL-KO BEARING PROTECTORS



Pressurised steel greaseable hub system. Pack of 2 **006574**

LUBRICANTS



Lubrimatic Marine Grease is water insoluble, resistant to salt air and water which controls rust. Can be used in many marine applications and is excellent for water pumps. 454g tub. **006576**

Castrol High Temp Bearing Grease 500g tub	006579
Castrol Boating Grease 500g tub	006580

HAYES ENERGIZE III BRAKE CONTROLLER



Smooth, proportional trailer braking. Compatible with all electronic systems (ABS, Cruise, etc.). Trailer/tow vehicle stop lights operate when trailer brakes are applied automatically or with manual lever. Wide range of mounting positions. Compact, rugged case. **000937**

TEKONSHA VOYAGER BRAKE CONTROLLER 9030



Compact and easy to install. Minimises false braking. Suits 2-4 magnets. **000947**

TEKONSHA PRODIGY BRAKE CONTROLLER



Works proportionally in reverse to assist reverse parking. Allows application of more initial braking power when towing heavier trailers. Made for up to 4 axle trailer braking systems. Easy to fit and remove. **000949**



Pocket mounting kit. **000950**



Pre-assembled wiring harness. **000951**

HAYMAN REESE BRAKE CONTROLLER



Solid state. Compact size, mounts almost anywhere with no levelling required. Includes mounting bracket and hardware. 3 year warranty. **000952**

TEKONSHA ELECTRIC BREAKAWAY SWITCH



Applies electric brakes automatically when accidental trailer breakaway from the towing vehicle occurs. **000938**

BRAKE-SAFE ELECTRIC BREAKAWAY KIT



Automatically recharges when connected to tow vehicle. Applies brakes and brake lights on trailer if it is accidentally separated from tow vehicle.

- 5000 2-4 magnets **000940**
- 4024 Brake-Safe battery only **000941**
- 5000XP 6-8 magnets **000942**

TEKONSHA SHURSET BREAKAWAY KIT



Lockable breakaway kit for all single, tandem and tri-axle breakaway applications. Kit contains polymer battery case with A-frame or post mounting bracket, 12V sealed rechargeable 5 amp battery, nylon breakaway switch and DC to DC heavy duty quick maintenance (2 stage) in line charger. **000939**

BRAKE CABLE - WIRE ROPE



- 4mm **006369**
- 5mm **036193**

BRAKE CABLE KIT



Consists of 8m of 8mm cable, cable adjuster, 2 rope clamps and 2 cable pulleys. **006370**

BRAKE CABLE CLAMPS



Galvanised brake cable (wire rope) clamps used to secure brake cable to attachments
 4mm clamp **006371**
 5mm clamp **006372**

BRAKE CABLE THIMBLE



- 4mm **036195**
- 5mm **036196**

AL-KO PULLEY



Diecast pulley with fabricated strap. **006362**

AL-KO BRAKE CABLE ADJUSTER



Brake adjuster with combined pulley and turnbuckle. **006361**

TURNBUCKLE & LOCKNUT



10mm with locknut Eye & eye. **006367**

D SHACKLES ZINC PLATED



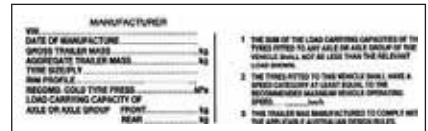
- 5mm **006726**
- 6mm **006725**
- 8mm **006724**
- 10mm **006723**
- 12mm **006727**

BOW SHACKLES



- 8mm **006731**
- 10mm **006732**

TRAILER IDENTIFICATION PLATE



2 piece VIN plate with tyre placard **036226**

AL-KO 700KG PRESSED METAL COUPLING



- 50mm drawbar **006276**
- Lock and key to suit **036198**

AL-KO QUICK RELEASE BOLT ON COUPLINGS



3 hole 2270kg capacity. **036199**



2 hole 2000kg capacity with ball adjust. Zinc plated **006278**

TRIGG QUICK RELEASE BOLT ON COUPLINGS A150



2000kg capacity. 50mm plunger couplings fitted with head adjusting screw.

- 2 hole **006273**
- 3 hole **006274**
- 4 hole **006275**

QUICK RELEASE BOLT ON ELECTRIC BRAKE COUPLING



3500kg capacity. 4 hole zinc plated with arm suits electric brakes. **006280**

FIXED RING COUPLING



- 3 hole bolt pattern.
- 3500kg capacity **036202**
- 6000kg capacity **036204**

AL-KO MECHANICAL OVERRIDE COUPLING LESS BRAKE ARM



- Zinc plated.
- 1000kg capacity **036208**
- 2000kg capacity **006285**

TRIGG MECHANICAL OVERRIDE COUPLING



2000kg capacity. No brake arm **006283**

TRIGG MECHANICAL RING TYPE COUPLING



2000kg capacity. No brake arm. **036210**

AL-KO MECHANICAL RING TYPE COUPLING



3000kg capacity. No brake arm. **036211**

TRIGG ANTI SWIVEL PARK BRAKE LEVER



Limited swivel baseplate restricts rotation of ring and prevents lock up on pintle hooks. Suits Trigg mechanical override ring coupling **036220**

AL-KO

BRAKE ARM ATTACHMENT



006319

TRIGG BRAKE ARM ATTACHMENT



Contoured hand brake lever with anti-swing ratchet. **006315**

AL-KO

HYDRAULIC OVERRIDE COUPLING



2000kg capacity. **006281**

ORAC OFF ROAD COUPLING



A multi-faceted swivel coupling allowing maximum angulation for off road trailers. 2500kg capacity. **006286**

TREG 4WD POLY BLOCK COUPLINGS



3000kg capacity. Bolt on mechanical override coupling. Trigg Hand Brake assembly can be used. **006300**

- 3000kg capacity. Weld on non-braked coupling. No handbrake provision. **006301**
- Detachable U bracket and pin **006295**
- Detachable pin and lynch pin **006293**
- Treg safety lynch pin 6mm **006294**
- Poly block **006297**
- Treg lockable spring pin **006299**

TRIGG 4WD FIXED COUPLING 3 PIECE BOLT ON



3,000kg off-road unbraked coupling, featuring full 360° rotation. Includes towbar adaptor. Polyblock with brass bushes and 10mm locking pin. 90° grease nipples fitted for easy servicing. Gooseneck bolt available. **006302**

TRIGG 4WD OVER-RIDE COUPLING 3 PIECE BOLT ON



2,000kg off-road override braked coupling, featuring full 360° rotation. Includes towbar adaptor. Polyblock with brass bushes and 10mm locking pin. 90° grease nipples fitted for easy servicing. Gooseneck bolt available. **036215**

HYDRAULIC MASTER CYLINDER



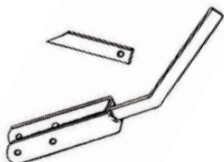
3/4" Complete. 2000kg capacity **006346**
Cap only to suit 3/4" cylinder **006350**
7/8" Complete. 3000kg capacity **006347**

AL-KO MECHANICAL PARKING MECHANISM



Top mounting parking lever for mechanical or electric brake trailers. Press button release. **036218**

BRAKE ARM SUIT STRAIGHT DRAWBAR - GALVANISED



50mm **036224**
75mm **036225**

AL-KO COUPLING ADAPTOR



Converts mechanical couplings to hydraulic using 3/4" master cylinder (Part No.006346) **006317**

Bracket only to suit 3/4" master cylinder **006316**

GAS CYLINDER CRADLES



9kg plated. Universal
Extra strong base **003827**



4kg plated. Universal
Adjustable with adaptor **003824**



9kg plated. Adjustable clasp **003829**

AL-KO JOCKEY WHEEL COMPLETE 150mm



Standard **006402**
Without clamp **006404**
150mm rubber wheel only **006428**

AL-KO JOCKEY WHEEL 200mm



With single clamp and 200mm wheel, fully adjustable with non-slip pressed ring outer tube.

Standard height **006408**
Extra height - outer housing is 510mm long **006407**

AL-KO 200MM JOCKEY WHEEL H/D INDUSTRIAL



Complete with swivel plate and locking pin **006415**
Swivel Plate. Heavy duty weld on **006421**

AL-KO JOCKEY WHEELS SOLID WHEEL



4.10 x 3.50 x 4 with clamp.

038556



4.10 x 3.50 x 4 complete with locking swivel bracket.

038561

TRAILTECH JOCKEY WHEEL SUIT BOX TRAILER L/DUTY 150MM



Suitable for use only on box trailers **006401**

TRAILTECH JOCKEY WHEEL WITH SWIVEL CLAMP L/DUTY 150MM



Light duty use only

036243

AL-KO JOCKEY WHEELS WITH LOCKING SWIVEL BRACKET



150mm With small bracket and locking pin

036244



150mm With large bracket and locking pin

006406



200mm With bracket and locking pin **006416**

MANUTEC HEAVY DUTY INDUSTRIAL JOCKEY WHEEL



With H/D Pin Locking Swivel Bracket
200mm

036248

AL-KO POWER MOVER WITH SOLID WHEEL



Ratchet jockey wheel. Assists the manual movement of a caravan or trailer. Includes handle and clamp **038543**
Lever Handle Only **000464**

MACO MULE TRACTION WHEELS



Single Wheel



Dual Wheel

Ratchet level drive, one hand operation with detachable handle. Acts as efficient brake on grades. Geared for maximum traction with minimum effort. Maximum safe working load 1,000kg draw bar weight for both the dual and single wheels. Inbuilt differential that equalises turning circles and reduces drag.

Single Wheel for smaller or medium sized vans and trailers built on a single axle. **000433**

Dual Wheel for larger vans and trailers with tandem wheels. **000460**

Lever Handle Only **000434**

TRAIL-A-MATE HYDRAULIC JOCKEY WHEEL



For stress free raising and lowering of caravans, boats and trailers. Suitable for most jockey wheel brackets. Both a jack and jockey wheel. No need to climb under the vehicle to jack it up. Trail-a-Mate has a safe working load of 1000kg when base is fitted. Includes safety non-slip lugs built in safety lock, detachable wheel, flat base plate, jacking brackets and lifting clamp

Trail-A-Mate	
Hydraulic Jockey Wheel	000417
Spare flat base plate	000418
Spare lifting clamp	000420
Spare jacking brackets	000422
Service Kit	000427
Jacking handle	000429

SIDEWINDER JOCKEY WHEEL AND JACK



For stress free raising and lowering of caravans, boats and trailers. Suitable for most jockey wheel brackets. No need for a jack and jockey wheel - this will do both jobs. Includes detachable wheel, flat base plate, jacking brackets and lifting clamp. **000431**

EASYLIFT JOCKEY STAND WITH SWIVEL CLAMP



Heavy duty stand complete with weld on swivel clamp 510mm. **036251**

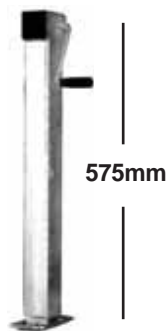
AL-KO ADJUSTABLE STAND WITH FLAT BASE



Complete with clamp

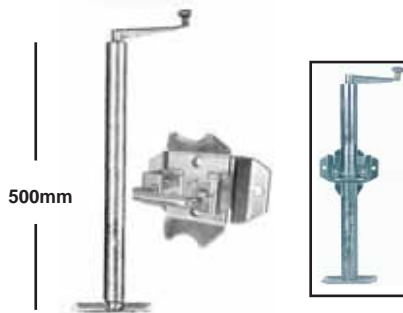
355mm	006450
510mm	006451

SIDE WINDING ADJUSTABLE STAND - FLAT BASE



Adjustable stand with loose handle. No swivel bracket or mounting tube. Lift 350mm. Static load capacity 1000kg. **036252**

MANUTEC ADJUSTABLE STAND - HEAVY DUTY



Adjustable stand with heavy duty pin locking swivel brackets supplied loose. Height 500mm lift 225mm. Static load capacity 1250kg **006447**

U BOLT KIT SUIT ALKO JOCKEY WHEEL



75mm long drawbar. 2 per card.

100mm wide	036246
75mm wide	036247

JOCKEY WHEEL RECEIVER



Rubber support cradle for use under jockey wheels. Fits 150mm, 200mm and 250mm wheels. **000410**

JOCKEY WHEEL HANDLES



EasyLift	036264
Alko	006438
Alko Grip Handle	006424

JOCKEY WHEEL AXLES



150mm Alko	036259
Axle Circlip	036260

JOCKEY WHEEL THRUST RACE BEARING



Will suit most jockey wheels with 150mm wheels. **006440**

AL-KO JOCKEY WHEEL CLAMPS



Single Standard Clamp	006418
Boxed	038769



Swivel Clamp. No weld required **006422**



Swivel Clamp with locking pin **036263**

JOCKEY WHEEL SPARE WHEELS

Rubber Wheels

200mm Easylift
150mm Alko



036268
006428

Steel Wheel

200mm Alko



006429



Tyre and Tube Complete Pneumatic

4.10 x 4 Artwell

036270

Rubber Inner Tube

2.50 x 4
4.10 x 3.50

006433
006437

Rubber Tyres

4.10 x 3.50 x 4 ply

036266

MANUTEC WELD ON ADJUSTABLE LEGS - REAR



Slotted type handle fitting

500mm
600mm

006473
006474

MANUTEC ADJUSTABLE LEGS WELD ON - FRONT



Hex head handle fitting.
500mm

006469



Slotted type handle fitting
500mm
600mm

006470
006472

AL-KO WIND DOWN LEGS FRONT



Front
Hex Drive. Side bolt. Zinc plated.
500mm
600mm
700mm

006476
006477
006478



Rear
Hex Drive. Side bolt with wheel. Zinc plated.
500mm
600mm

006479
006480

FRONT AND REAR LEGS SUIT JAYCO



Hex Drive - top mount bolt on. Galvanised.

500mm Front
700mm Rear

006481
006482

MANUTEC QUICK RELEASE ADJUSTABLE LEGS



Weld on - lift 240mm

400mm
520mm

006488
006490

AL-KO "BIG FOOT" LEG PADS



Provides a flat load bearing surface for corner steadies, ideal for soft ground.
Set of 4.

006486

AL-KO DROP DOWN CORNER STEADY PLUS BIG FOOT



Corner steady with "Big Foot" leg pad attached. Provides a flat load bearing surface, ideal for soft ground.

590mm
740mm

006483
006485
006484

CARAVAN REAR LEG WINDER HANDLES



550mm Easylift/Artwell

006493

720mm Easylift/Artwell

006494



550mm Hexagonal

006495



Viscount/Franklin square tube

006496



Millard old style jack handle

006498



Alko slot drive

036271



800mm Alko hex drive

006499

1150mm Alko hex drive

006500

POLYETHELENE MUDGUARDS



Strong, modern look, step treads on both sides and top - complete with mudflaps. Brackets not included

300mm	Small	White	036283
300mm	Small	Silver	036284
330mm	Medium	White	036285
330mm	Medium	Silver	036286
355mm	Large	White	036287
355mm	Large	Silver	036288
355mm	Large	Black	036289

TRAILER MUDGUARDS - HOLDEN SIZED WHEELS



Width

200mm	galvanised	036276
230mm	galvanised	036273
230mm	black	036274

TRAILER MUDGUARDS - MINI SIZED WHEELS



200mm wide galvanised **036278**

TRAILER MUDGUARDS JUNIOR



150mm wide galvanised to suit 200mm wheel. **036279**

TRAILER MUDGUARDS TANDEM



230mm galvanised **036280**
230mm black **036281**
200mm galvanised **036282**

TRAILER MUDFLAPS



Plain rubber - 210mm (h) 190mm (w)
Sold in pairs **036292**

GALVANISED WHEEL ARCH SINGLE



290mm (h) 760-450mm (w) 280mm (d)
006543

GALVANISED WHEEL ARCH TANDEM



290mm (h) 1545-1260mm (w) 280mm (d)
006544

SPRINGS



Spring length is measured from centre of eye at front to centre of slide at rear. Spring ratings are guidelines only.

	Size (mm)	Rating (kg)	
BROOKER			
6 leaf	45 x 6 x 580	700	036296
6 leaf	45 x 6 x 725	620	036297
NYLON BUSHED			
3 leaf	45 x 8 x 710	425	036299
4 leaf	45 x 8 x 710	550	036300
5 leaf	45 x 8 x 710	650	036301
6 leaf	45 x 8 x 710	750	036302
4 leaf	45 x 8 x 710	630	036303
4 leaf	45 x 8 x 762	640	036304
5 leaf	45 x 8 x 762	760	036305
5 leaf	45 x 8 x 840	710	036306
7 leaf	45 x 8 x 840	950	036307
7 leaf	45 x 8 x 710	1140	036308

TANDEM OFFSET CENTRE NYLON BUSHED

6 leaf	45 x 6 x 710	474	036310
7 leaf	45 x 8 x 710	1120	036309
6 leaf	45 x 6 x 660	548	036312
7 leaf	45 x 7 x 710	730	036311
4 leaf	45 x 8 x 710	680	036313

SPRINGS

	Size (mm)	Rating (kg)	
UNBUSHED 7/8 EYE RB			
4 leaf	45 x 6 x 762	296	036315
6 leaf	45 x 6 x 762	445	036314
4 leaf	45 x 6 x 610	365	036316
6 leaf	45 x 6 x 840	395	036317

SLIPPER AUSTRALIAN MADE

2 leaf	45 x 6.5 x 720	160	036318
3 leaf	45 x 6.5 x 720	300	036319
4 leaf	45 x 6.5 x 720	450	036320
5 leaf	45 x 6.5 x 720	500	036321
6 leaf	45 x 6.5 x 720	600	036322
8 leaf	45 x 6.5 x 720	800	036323
5 leaf	45 x 6.5 x 585	650	036324

SLIPPER DACROMET IMPORTED

3 leaf	45x 6 x 720	300	036333
4 leaf	45 x 6 x 720	400	036334
5 leaf	45 x 6 x 720	500	036335
6 leaf	45 x 6 x 720	600	036336
7 leaf	45 x 6 x 720	675	036337

PARABOLIC SLIPPER SPRINGS GALVANISED 45MM WIDE



1 leaf spring tapered from centre to each end. One size fitting for all capacities.

1 leaf	45 x 13 x 860	300	036338
1 leaf	45 x 15 x 860	500	036339

OFF ROAD AUSTRALIAN MADE



Includes U bolt kit

7 leaf	60 x 6.5 x 850	500	036342
8 leaf	60 x 6.5 x 850	650	036343
9 leaf	60 x 6.5 x 850	750	036344

SPRING ASSEMBLIES ON FLAT BAR



6 leaf	TA750	375kg	036346
8 leaf	TA1250	600kg	036347

5 & 7 LEAF TANDEM SPRING ASSEMBLIES ON FLAT BAR



Rating shown are per side.

Non Greaseable Spring Assemblies

5 leaf	TA1500	750	036348
7 leaf	TA2000	1000	036349
7 leaf	TA2000-16	1000	036350
6 leaf	TA600	750	036351

Spring Only

Front spring only	suit TA1500	036352
Rear spring only	suit TA1500	036353
Front spring only	suit TA2000	036354
Rear spring only	suit TA2000	036355

TANDEM AXLE SPRING FITTINGS



Fabricated Rocker Arm with Bushes **036360**



Tandem Cast Rocker Arm TA2000 A676 **036362**



Tandem Cast Rocker Arm TA2000-16 **036363**

FRONT SPRING U HANGER



45mm wide	
12mm hole	036364
14mm hole	036365

REAR SPRING HANGER BLOCK



22mm ID No Bush **036367**

REAR HANGER SUIT SLIPPER SPRING



Suit 45mm slipper spring **036368**

SHACKLE BOLTS/NUTS



Bolts & Nuts Greasable	
3 1/2" x 9/16"	036369
3 1/2" x 5/8"	036370

Bolts & Nuts Non-Greasable	
3 1/2" x 9/16"	036371
3 1/4" x 5/8"	036372

Nuts	
9/16" Nyloc nut UNF	036373
5/8" Nyloc nut UNF	036374
1/2" Whitworth nut Nyloc	006530
1/2" Whitworth nut zinc plated	006531

Bolt	
3 1/2" x 1/2" Whitworth hex bolt	036375

SHACKLE PLATES



1/2" hole	
Black - holes 65mm centre to centre	036377
Galvanised - holes 75mm centre to centre	036378

9/16" hole	
Black - holes 65mm centre to centre	006526
Galvanised - holes 75mm centre to centre	036379

SPLIT PIN



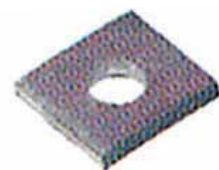
32mm x 3.2mm steel **036422**

FISH PLATES



8mm multi-fit with slotted holes.	
Black	006527
Galvanised	036380

AXLE PAD 40MM SQ



To fit centre pin of spring	
Single Bulk	036387
Galvanised. 1 per pack	038768

U BOLTS - 1/2" WHIT



Nuts sold separately

Square Black

115mm x 40mm	036391
125mm x 40mm	036392
125mm x 45mm	006522
125mm x 50mm	036393
140mm x 40mm	036394
140mm x 45mm	006523
150mm x 40mm	036395
150mm x 50mm	006524
165mm x 4 5mm	036396

Round Black

125mm x 40mm	036397
125mm x 45mm	036398
125mm x 50mm	036399
150mm x 50mm	036400

Square Zinc Plated

75mm x 55mm	036401
75mm x 100mm	036402
100mm x 75mm	036403
100mm x 40mm	036404
100mm x 100mm	036405
114mm x 56mm	036406
130mm x 56mm	036407
115mm x 40mm	036408
125mm x 40mm	036409
125mm x 45mm	036410
125mm x 50mm	036411
140mm x 40mm	036412
140mm x 45mm	036413
150mm x 40mm	036414
150mm x 50mm	036415
165mm x 45mm	036416

Round Zinc Plated

100mm x 40mm	036417
125mm x 40mm	036418
125mm x 45mm	036419
125mm x 50mm	036420
150mm x 50mm	036421

AL-KO U-Bolt Kits

2 U-bolts, 4 nuts, and washers,

Suit 39mm axles	038766
Suit 40mm axles	038767

GREASE NIPPLES - SPRINGS



Straight	036376
----------	--------

SPRING BUSHES

**Nylon Bushes**

1 3/4" x 3/4" x 1/2"	036381
1 3/4" x 7/8" x 1/2"	006533
1 3/4" x 7/8" x 5/8"	006534
1 3/4" x 3/4" x 9/16"	006535
1 3/4" x 7/8" x 9/16"	036382
1 1/5" x 7/8" x 5/8"	036386

SPRING CENTRE BOLTS & NUTS



50mm x 8mm	036388
65mm x 8mm	036389
75mm x 8mm	036390

AL-KO CARAVAN SHOCK ABSORBER KIT

Suitable for beam axles

Set of 2 036423

WINDSOR CARAVAN SHOCK ABSORBER

Shock absorber	006654
Coil spring blue 600kg	006658
Top plate	006655

VISCOUNT SINGLE WHEEL SPAT



White fibreglass. Offside	006647
White fibreglass. Nearside	006648
White plastic	
Sold in pairs only (LH/RH)	036432

MILLARD SINGLE SPAT OLD STYLE



White fibreglass	006645
------------------	--------

MILLARD SINGLE SPAT NEW STYLE



White plastic	036433
---------------	--------

VISCOUNT TANDEM SPAT



White. Offside.	006649
White. Nearside	006650
White plastic	
Sold in pairs only (LH/RH)	036434

MILLARD TANDEM SPAT



White fibreglass.	006646
-------------------	--------

SMALL VISCOUNT SINGLE SPAT - LOW PROFILE



White plastic.	006642
White fibreglass	006643

SPARE WHEEL CARRIER WELD ON



Can be welded direct to A-frame or bumper bar. Retaining disc keeps the spare wheel secure with provision for padlock	
.	000511

SPARE WHEEL CARRIER DUNFORD BOLT ON



Complete with 2 U-bolts and nuts for temporary fixing to A-frame. Retaining disc keeps the spare wheel secure with provision for padlock.	000512
---	--------

JAYCO SPARE WHEEL CARRIER BOLT ON



	000515
--	--------

SINGLE CARAVAN STEP LOW PROFILE



Steel 455mm wide
170mm mounting frame.

006501

SINGLE CARAVAN TREADPLATE STEP



Steel. 500mm wide.
165mm mounting frame.

006502

SINGLE STEEL CARAVAN STEPS

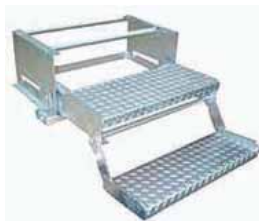


510mm wide.

Black

036436

DOUBLE CARAVAN STEP



Painted. 490mm x 180mm

006504

TECHNO-STEP MANUAL STEP



560mm wide manual step.
Aluminium/steel construction

006507

TECHNO-STEP 12V ELECTRIC STEP



560mm wide. Operated by a switch.
Aluminium/steel construction.

Single step

006508

Double step

006509

CAMPER SCISSOR STEPS



Lightweight, aluminium steps which fold
for easy storage when travelling. Standard
mounting brackets included. 425mm wide.

4 step 900mm high

008460

5 step 1100mm high

008461

CHROME TOWBALLS



1 7/8" towball. Shank 7/8" dia. x 51mm long.
Towing capacity 2270kg.

006255



50mm long shank towball. Shank 7/8" dia. x
62mm long. Towing capacity 3500kg

006252



50mm long shank towball. Shank 7/8" dia. x
80mm long. Towing capacity 2500kg

006250



50mm chrome towball with 25mm hi-rise.
Shank 7/8" dia. x 51mm long.
Towing capacity 2000kg

006254



50mm towball. Shank 25mm dia. x 51mm
long. Towing capacity 3000kg.

036443

TOWBALL COVERS



"Hav-A-Ball" soft black plastic.
Black plastic with spring clip suits
50mm and 1 7/8" towballs.

000849

000848

Chrome plastic with spring clip
suits 50mm and 1 7/8" towballs.

000850

Chrome on plastic

036745

MULTIFIT TOWBALL SPANNER



Can be used for towball nuts, snap up bracket
bolts, D shackles, towbar tongue bolts and
adjustable ball mount bolts and nuts.

006256

GALVANISED LINK CHAIN



Sold by the metre

10mm long link

006722

"TRAILER COP' COUPLING LOCK



Quick release expanding towball coupling
lock. Fits all popular trailer couplings with a
barrel lock for high security. Easy to operate.

000385

COUPLMATE DUAL COUPLING LOCK



Dual lock which locks car and trailer
together. Padlock not included.

000392

TRAILER COUPLING LOCK



Heavy duty 2 position locking system.
Secures trailer when attached or unattached
to vehicle. Includes padlock.

000395

TRAILER COUPLING LOCK

Heavy duty. Fit in seconds.
Padlock not included.

000399**PULL PIN LOCKS - REESE**

Locking pins for Reese towbars - secures the hitch with a keyed locking pin.

Prime locking pull pin **036448**

Reese locking pull pin **000914**

Reese pull pin **000915**

Spring cotter pin **000916**

PULL PIN LOCK - TREG

Slip the Treg lock pin into the coupling and attach the cylinder onto the machined end. Then simply turn the key. Includes dust cap. For 4WD use. **036449**

PULL PIN HITCH LOCK PLUS TREG LOCK

4WD security set which comprises Talon Hitch Lock plus Treg Lock. Keyed alike for convenience. **036450**

STRETCHMASTER WHEEL LOCK

The fastest way to ensure your motor vehicle, boat trailer, aircraft, caravan, box trailer or camper trailer stays secure. Fits up to 290mm wide wheels. Hardened steel. Weighs under 3kg. Insurance company approved. **000406**

KLAMP IT WHEEL LOCKS

Designed to fit on the driver side front tyre with a steel horizontal bar that blocks movement.

Type	Tyre Width	Wheel Dia.	
B	165 - 185mm	13 - 15"	000402
C	195 - 205mm	13 - 17"	000403
D	215 - 245mm	15 - 17"	000404
E (4WD)	285mm	14 - 16"	000405

SUNRAYSLIA STEEL ROAD WHEELS

White. 355mm x 152mm

Ford **006615**

Landcruiser **036454**

STEEL ROAD WHEELS

Holden HD HR 330mm **038357**

Holden HQ 355mm **036452**

Ford 355mm **036453**

GALVANISED STEEL ROAD WHEELS

Holden HD HR 330mm **036456**

Holden HT 355mm **036457**

Holden HQ 355mm **036458**

EASYPARK WHEELS

Replaces road wheel when parking vehicle in area with low headroom - lowers height of vehicle

Ford **006616**

6 Stud Landcruiser **006617**

ALLOY WHEELS**No Tyre**

200mm Holden bearing mount **036461**

230mm hub mount **036465**

250mm hub mount **036469**

250mm bearing mount **036471**

250mm hub mount Mini wheel Aluminium Performance **036473**

**With Tyre**

200mm Imperial **036460**

200mm Holden bearing mount **036466**

200mm hub mount **036464**

230mm hub mount **036466**

230mm bearing mount **036468**

250mm hub mount **036470**

250mm bearing mount **036472**

250mm hub mount Mini Wheel Performance **036474**

SPARE RUBBER TUBES AND TYRES

400 x 8 tube **036479**

400 x 8 4 ply tyre **036480**

450 x 10 tube **036481**

450 x 10 6 ply tyre **036482**

500 x 10 tyre **036483**

600 x 9 tube **036484**

TRAILER SKID

Blue trailer skid manufactured from Magnalene. Specially formulated for aluminium boats.

50mm x 12mm x 1500mm **007645**

FENDER STRIP GROOVED & TRAILER SKID

White PVC fender strip and trailer skid grooved.

007646

BOAT ROLLERS



- Blue polypropelene keel rollers.**
 100mm 17mm bore **007653**
 150mm 17mm bore **007654**
 200mm 21mm bore **007655**



- Self centring rubber rollers**
 150mm 17mm bore **007656**
 200mm 21mm bore **007657**



- Black curved rubber rollers**
 200mm 21mm bore **007658**
 300mm 25mm bore **007659**

GALVANISED ROLLER BRACKET



- 2 Round Legs.**
 Suit 150mm roller **007674**

GALVANISED KEEL ROLLER BRACKET



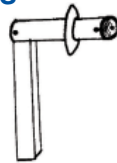
- 75mm **007667**
 100mm **007668**
 150mm **007669**
 200mm **007670**
 305mm **007671**

KEEL ROLLER SPINDLES SOLID GALVANISED

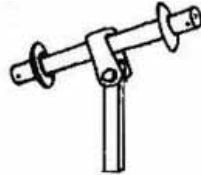


- 75mm roller size, 16mm dia. **007691**
 100mm roller size, 16mm dia. **007692**
 150mm roller size, 16mm dia. **007693**
 200mm roller size, 16mm dia. **007694**
 200mm roller size, 20mm dia. **007695**
 305mm roller size, 22mm dia. **007696**

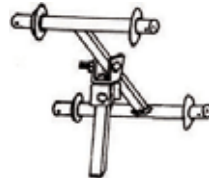
GALVANISED WOBBLE ROLLER BRACKETS



- Single.** Mounts a single wobble roller onto a post. **007677**



- Double.** Allows two wobble rollers to be mounted onto a single post. **007678**



- Quad.** Allows four wobble rollers to be mounted onto a single post. **007679**



- Domed washer suit wobble bracket **007680**



- Galvanised wobble roller post clamps
 Suit 50 x 25mm RHS **007686**
 Suit 50 x 50mm RHS **007687**
 Suit 75 x 50mm RHS **007689**
 Suit 100 x 50mm RHS **007690**



- Wobble Rollers
 75mm Grey Ribbed **007664**
 100mm Black Smooth **007665**

WOBBLE ROLLER SOCKET AND NUT



- Bolt on 19mm post - galvanised **007684**



- Weld on 19mm post - black **007685**

JARRETT MANUAL BRAKE WINCHES



- 5.1 300kg capacity with cable **006685**
 10.1 500kg capacity with cable **006686**

JARRETT MANUAL WINCHES



Capacity with Cable	Ratio	
500kg	3:1	006680
700kg	5:1 1:1	006682
800kg	10:1 5:1 1:1	035663

- Car Trailer winch with Cable**
 1000kg 9.5:1 5:1 1:1 **035664**

Boat winches with Webbing

500kg	3:1	006690
700kg	5:1	006691
700kg	5:1 1:1	006692
800kg	10:1 5:1 1:1	006693



- Winch handle suit Jarrett hex drive **006720**

ALKO WINCHES



- Safety Winch.** 500kg capacity. Cable not included. **035669**



Boat Winches with Cable.

Capacity	Ratio	
250kg	1:1	006694
750kg	5:1 1:1	035666
1000kg	10:1 5:1 1:1	035667



- Winch handle suit Alko - 230mm **035662**