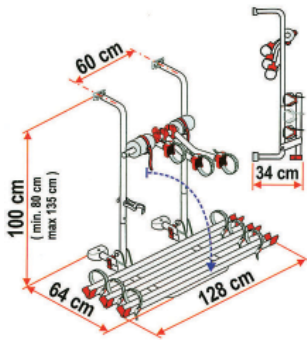
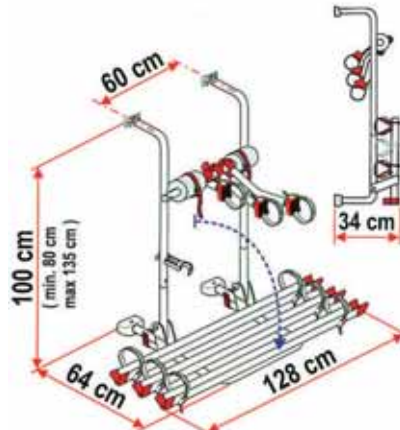


FIAMMA CARRY BIKE PRO C2



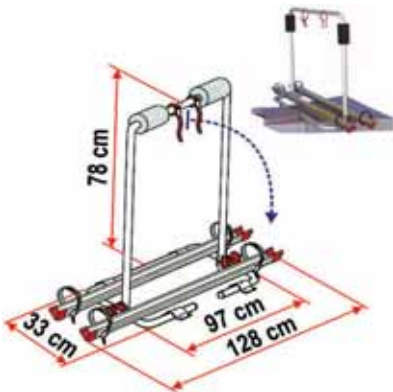
Compact design which can be installed under window. 2 bike standard with capacity for up to 4 bikes with installation of additional rails. Telescopic frame can be adjusted in height from 40 to 50cm. Extends 59cm. 60kg capacity **001040**

FIAMMA CARRY BIKE 200UL UNIVERSAL



Suitable for most campervans and caravans. Compact design, height extends from 80 to 135cm. Carries 2 bikes. 50kg capacity. **001044**

FIAMMA CARAVAN BIKE CARRIER



Inexpensive and compact. Fits all caravans with standard shafts. Carries 2 bikes. Pivots forward allowing access to storage compartment. No drilling required. 35kg capacity. **001042**

FIAMMA BIKE BRACKET KITS



Upper Bracket Kit **035318**



Lower Bracket Kit **035312**

FIAMMA DELUXE BUNK LADDERS



Aluminium ladders for interior use. Can be dismantled into 2 pieces. Handy hooks hold ladder in position against bunks. 310mm wide.

4 rung. 1580mm long. **001047**

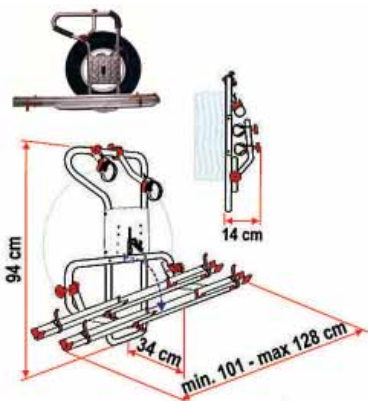
5 rung. 1785mm long. **001048**

MAC RAC PUSH BIKE CARRIERS



Deluxe
Holds 3 bikes. Fold down. Suitable for use on vehicles with a tailgate or when towing a trailer or caravan. 45kg capacity or 60kg with strap. **001035**

FIAMMA UNIVERSAL - 4WD CARRY BIKE



Designed for installation on the spare wheel at rear of 4WD. The support platform can be tilted up when not in use. Suitable for 2 bikes. 35kg capacity. **001043**

INOX AEROSOL LUBICANT



Super lubricant with MX3 anti-corrosion formula. Also cleans vinyl dashes, plastic bumpers, mag wheels, etc. Polishes and protects aluminium, stainless steel.

300gm **035341**

SILICONE SPRAY



Lubricates metal and rubber. Prevents sticking, freezing and squeaking. Protects plastic, wood, metal and rubber. Silicone reduces friction and seals out moisture. 454gm **035306**

BLACK STREAK REMOVER



Quickly and easily removes the most stubborn black streaks caused by window and door sealants and roof coatings. Also removes bugs and tree sap. 946ml. **035330**

12V AIR COMPRESSOR HEAVY DUTY

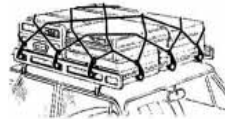


Compact size. Twin motor, auto stop preset gauge. Air erupt inflator. 14 amp power draw. Inflates tyre in only 1.5 min. 35 ltr/min displacement. Suits trucks and 4x4s. Includes quality carry bag. 300psi **035334**

STRETCH ELASTIC NETS

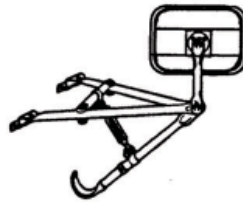


Luggage Net. One piece stretch net with nylon hooks to secure. Suits most luggage roof trays. **035307**



Trailer Net with large hooks to hold load in position.
1800mm x 1200mm **001754**
2100mm x 1500mm **035325**

FAWKNER FENDER MOUNTED REAR VISION MIRROR



Suits most vehicles. Sold in pairs. Spare mirror head **000988** **000996**

FAWKNER REAR VISION BONNET MOUNTED MIRRORS



Sturdy, dependable, Australian made mirrors. Set of 2 mirrors black trim, bar and fitting kit. **000987**
Spare mirror head **000996**

STRAP ON CONVEX TOWING MIRRORS



Plastic twin towing mirror with fully adjustable wide angle spotter. Standard size. **000986**

STRAP ON TOWING MIRRORS



Standard size. Sold in pairs **000957**

CLIP ON REAR VISION MIRROR QUICK FIT



Quickly attaches to existing rear vision mirror. Suits both left and right hand. **000959**

STRAP ON MIRROR 4WD XL ADJUSTABLE



Extension arm to fit extra large mirrors

Fits most standard mirrors and includes articulated arms. **000956**

CAMEC HEAVY DUTY DOOR MIRROR



Suitable for towing caravans, campers, horsefloats, boats, etc. Quality rubber mounting pads. Ratchet T Bar ensures firm fitting. Installation in minutes. Extends from 330mm to 470mm. **034194**

CLIP ON REAR VISION MIRROR 4WD



Large Clip on 4WD Mirror **035293**
Spare rubber strap **000999**
Spare buckle **001002**

ORA CLIP ON MIRRORS

This mirror can be extended and swivelled horizontally and vertically. Easily installed and removed. Clear visibility when towing vans up to 2.4m wide. Easily adjusted from inside car. Sold in pairs. **000962**

Spare Parts

Support bracket with nut and bolt	001010
Extension strap	001011
Extension arms	001003
Spare glass	002452
Magnetic support arm	001007
Triangle mount	001016

BIG RED MAGNETIC DOOR MIRROR

Extra wide vision. Fits securely to the existing wing mirror with magnetic support for additional stability. **000968**

ENZO MAGNETIC MIRROR

Vibration resistant. Stable, safe and practical to use. Adaptable to many vehicles. Magnet has anti-scratch fabric attached for protection of bodywork. Easy to fit and remove and to adjust from the interior of vehicle. **000964**

COPPA ROSSA DOOR MIRROR

Fits most vehicles, strong and stable, vibration resistant, easily installed and removed. No tools needed. The addition of the suction support arm will prevent any problems drivers sometimes experience with clip-on mirrors. **000969**

Spare Parts

Support Arm	000970
Suction Cup	000975
"T" Piece	000976

Spare Parts also suitable for Ora New Style Mirrors

Knob	000972
Strap	000974
Suction Kit includes arm, cup and triangle	000979

CONVEX BLIND SPOT MIRRORS

Self adhesive - can be mounted on main mirrors to suit user. 50mm. **000958**

REFLECTORS RECTANGULAR SCREW ON

75mm x 45mm	
Red	004958
Clear	004959
Amber	004960

127mm x 51mm	
Red	004961
Clear	004962
Amber	004963

REFLECTORS RECTANGULAR STICK ON

105mm x 55mm	
Clear Narva	035354
Amber Narva	035340
Red Narva	035337
70mm x 20mm	
Clear	036747
Amber	036748
Red	036749

REGISTRATION LABEL HOLDERS LARGE

Plastic **000565**



Metal **035300**

CAMEC LOAD EQUALIZERS

Assists in reducing sway when towing by distributing the weight of the towed vehicle. To calculate which equalizer should be used, add the caravan towball weight to the weight of the luggage in car boot. Note: for weights over 125kg, use a load distribution hitch with suitable rating

2 Rod Set. 45kg to 70kg weight	000816
4 Rod Set. 70kg to 125kg weight	000817

Spare Parts

Head	000818
Rod	000819
Equalizer Bracket Set and base plates	000820
Equalizer Bracket Set 150mm long	000822



Weld-on brackets to suit 50mm wide A-frame chassis rails are available as optional to the bolt-on kit; simply as replacement parts or as extra fittings for other trailers. **000814**

LOAD EQUALIZER BACK SAVER AID



Adjustable mechanical aid to assist placing equalizer rods into chassis brackets - saves back muscles **000407**

TOW AID CHAIN



11 link tensioning chain with bow shackle **000810**

TOW AID SAFETY R CLIP



3mm **000811**
4mm **000812**

REESE SAFETY PIN



000911

ROPE CLEAT



001687

ROPE HOOKS



Die Cast Metal **001686**



Black Nylon **001685**

SHOCK CORD



Black elasticised stretch cord

Per Metre
3mm **035375**
6mm **035331**
5mm **001757**
8mm **035363**

WAECO REVERSING VIDEO KIT



Switches on automatically when reverse gear is engaged but can also be activated manually. The camera's microphone can be used to give instructions to the driver from the outside. Includes

- LCD colour monitor.
- Camera with aluminium housing.
- Installation fittings for all components.
- Set of cables for monitor.

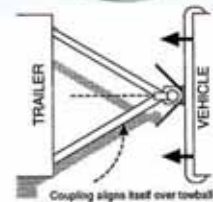
RV Camera Kit 250LCD

127mm monitor **002260**

RV/Light Truck Kit 710LCD

177mm monitor **036579**

COUPLE MATE HITCH GUIDE



2 piece system fits on the towball as a guide when backing up to the trailer. Suits standard towball and torsion bar fittings. Long shank towballs are recommended when used in conjunction with torsion bar fittings.

Couple Mate Hitch Guide **001024**
Couple Mate wings **001025**
Couple Mate base **001026**



Lock Up

Wings can be locked in the security position as a theft deterrent whilst towing or when the vehicle and/or trailer are left unattended

PINTLE HOOKS



5 tonne **035290**
12 tonne **035298**

With Ball



3 tonne **035289**
Safety locking pin **035362**

ACAR PULL PIN AND CLIP



For use with Reese towbars **000899**

HAYMAN REESE WEIGHT DISTRIBUTING HITCH



With Adjustable Ball Mount
550lb Hitch **000893**
550lb Hitch 28" BA **000894**
750lb Hitch **000896**

HAYMAN REESE REESE SAFETY CHAIN EXT 10mm



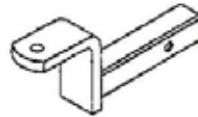
035308

HAYMAN REESE ADJUSTABLE BALL MOUNT



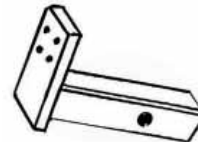
000922

HAYMAN REESE TRAILER BALL MOUNTS



300mm **035292**
100mm drop suit R665 **035296**
Straight lug **000878**
Straight lug 20mm thick **000879**
Adjustable **000884**
Straight lug 20mm thick **000886**
230mm long shank **035301**

HAYMAN REESE TRAILER BALL MOUNT TO SUIT PINTLE HOOK



Trailer Ball Mount with 195mm lug to suit pintle hook. **035295**

HAYMAN REESE REESE SWAY CONTROL DUAL CAM



Designed to keep your caravan and car in a straight line when travelling or under control when a sway occurs due to passing trucks, high crosswinds or when a wheel runs off the road edge. Fits to Reese weight distributing hitch. **000832**

HAYMAN REESE SWAY CONTROL - STANDARD FRICTION



Installed and removed easily. Heavy construction for added reliability. Friction brake keeps trailer and tow vehicle stable. Quick attachment to trailer frame and ball mount. **000825**



SNAP UP BRACKET



To suit weight distributing hitch. Screw and 'S' pin not included. **035311**

PLASTIC LEVEL 2 WAY



Universal level. For home, tradesmen and all recreational vehicles. **000370**

STICK ON LEVEL



Stick-on levels with self adhesive backing, small enough to carry in your pocket. 25mm (h) 38mm (l) 2 per card. **000373**



REESE LEVEL ALL



'A' frame mounted. Indicates level in two directions via plastic see-through cover. 83mm diameter. **000375**

MULTI PURPOSE GRADUATED LEVEL



Indicates level in two directions. No tools needed 2 per card. **000378**